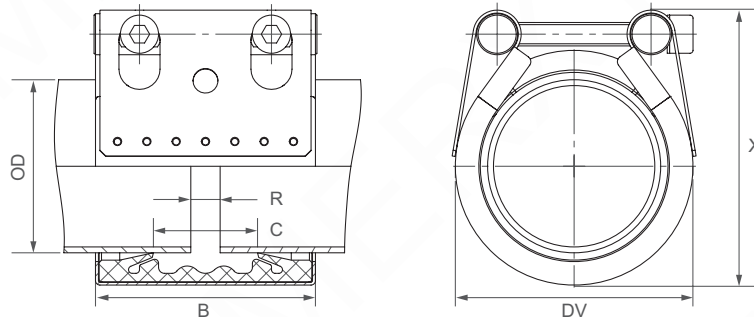


STRAUB-FLEX 1 | ø 48.3 - 168.3 mm

Components / Materials	W1	W2	W4	W5
Casing		AISI 316 L or similar		AISI 316 L or similar
Bolts		AISI 4135		A4 - 80
Bars		AISI 12L14, galvanised		AISI 316 L or similar
Strip insert (option)		AISI 316 L or similar / PVDF		AISI 316 L or similar / PVDF

Sealing sleeve EPDM	Temp.: -20°C up to +100°C Medium: all qualities of water, waste water, air, solids and chemical products
Sealing sleeve NBR	Temp.: -20°C up to +80°C Medium: water, gas, oil, fuel and other hydrocarbons
Sealing sleeve FPM/FKM *	Temp.: -20°C up to +180°C Medium: ozone, oxygen, acids, gas, oil and fuel (only with strip insert) * FPM/FKM only available as STRAUB-OPEN-FLEX



OD [mm]	Clamping range [mm]	PN [bar]	PN [bar]	B [mm]	C [mm]	DV [mm]	X [mm]	R without strip insert [mm]	R with strip insert [mm]	Torque rate [Nm]
48.3*	47.0 - 50.0	25	16	75	35	70	83	5	5 - 15	7.5
54.0*	52.5 - 55.5	25	16	75	35	76	88	5	5 - 15	7.5
57.0*	55.5 - 58.5	25	16	75	35	79	94	5	5 - 15	7.5
60.3	59.0 - 63.0	25	16	75	35	82	95	5	5 - 15	15
70.0	69.5 - 71.0	25	16	94	51	95	112	5	5 - 25	7.5
73.0	71.5 - 75.0	25	16	94	51	95	112	5	5 - 25	7.5
76.1	74.5 - 77.5	25	16	94	51	98	119	5	5 - 25	7.5
80.0	79.5 - 81.5	25	16	94	51	106	127	5	5 - 25	7.5
84.0	82.5 - 85.5	25	16	94	51	106	127	5	5 - 25	7.5
88.9	87.5 - 90.5	25	16	94	51	111	132	5	5 - 25	7.5
100.6	99.0 - 102.5	25	16	94	51	123	145	5	5 - 25	7.5
101.6	100.0 - 103.5	25	16	94	51	124	145	5	5 - 25	7.5
104.0	102.5 - 105.5	20	16	94	51	126	146	5	5 - 25	7.5
104.8	103.0 - 106.5	20	16	94	51	127	146	5	5 - 25	7.5
108.0	106.5 - 110.0	20	16	94	51	130	151	5	5 - 25	7.5
114.3	112.5 - 116.0	20	16	94	51	136	160	5	5 - 25	7.5
127.0	125.0 - 129.0	20	16	107	62	149	168	5	5 - 35	10
129.0	127.0 - 131.0	20	16	107	62	151	170	5	5 - 35	10
130.2	128.5 - 132.0	20	16	107	62	152	170	5	5 - 35	10
133.0	131.0 - 135.0	16	16	107	62	155	174	5	5 - 35	10
139.7	138.0 - 141.5	16	16	107	62	162	180	5	5 - 35	10
141.3	139.5 - 143.0	16	16	107	62	163	182	5	5 - 35	10
154.0	152.0 - 156.0	16	16	107	62	176	198	5	5 - 35	10
159.0	157.0 - 161.0	16	16	107	62	181	203	5	5 - 35	10
168.3	166.0 - 170.5	16	16	107	62	190	212	5	5 - 35	10

Remarks:

- Follow fitting instructions
- PN () = working pressure considering the application loads
 Test pressure = PN () x 1.5 (for example industry, water supply etc.)
 Burst pressure = approx. PN () x 2
 PN () = nominal pressure, includes four times safety factor (e.g. shipbuilding)
- Strip inserts are optional accessories (see Technical Manual STRAUB)
- Additional sealing sleeves, pressure and temperature ranges on request